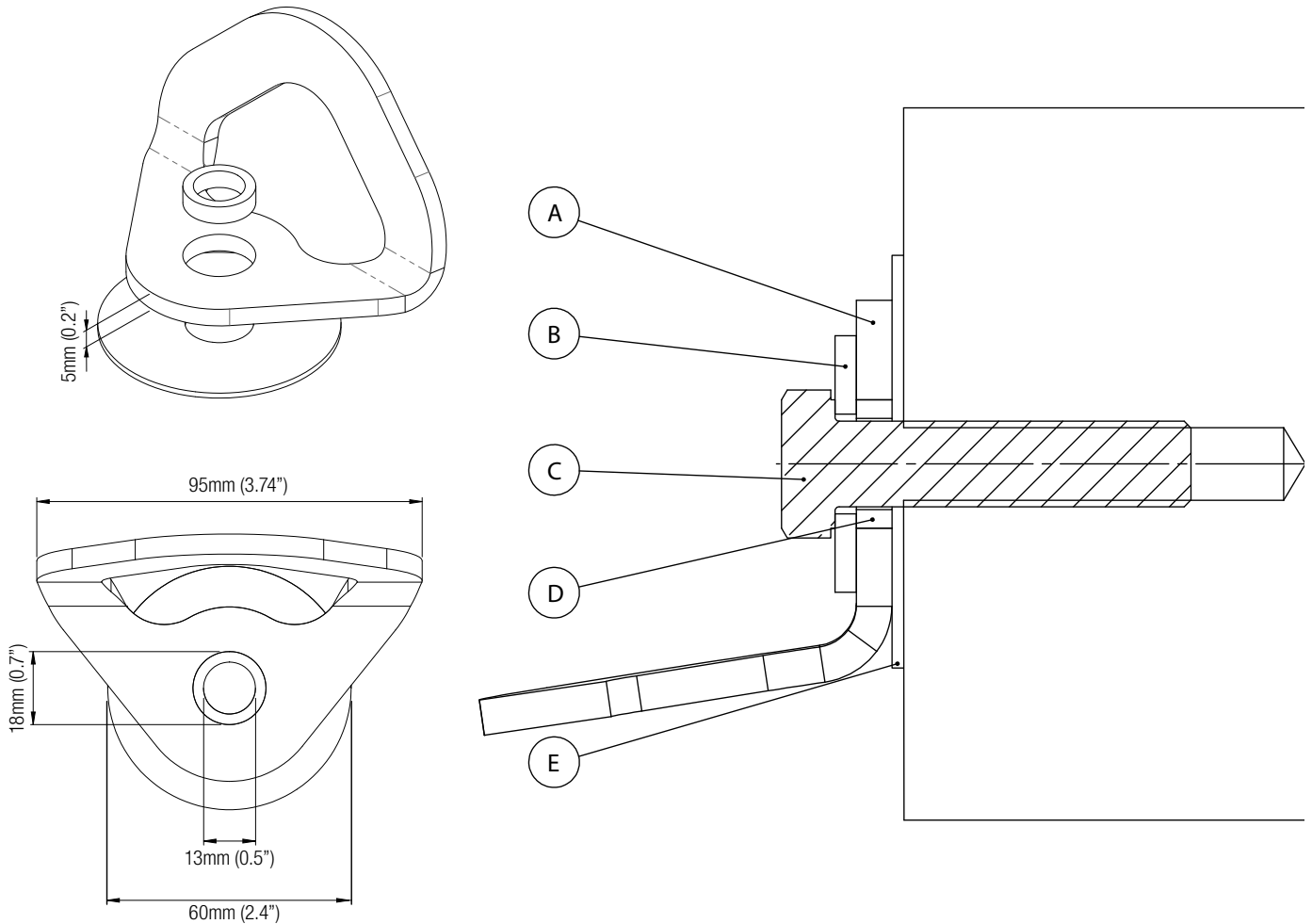


Technical Datasheet: 1357

Single Point Anchor

Part No: 7234034



APPLICATION

A single point anchor for one user. Conforms to EN 795:2012 Type A, OSHA 1926.502M

Minimum Fastener size with Nylon Bush M12 A470 and Max fastener size without is an M16 A470.

COMPONENT SPECIFICATION

Not Supplied *	Single Point Anchor (A)	Oversize Washer (B) *	Fixings (C) *	Nylon Bush (D)	Single Point Anchor Marking Plate (E)
MATERIAL	304 Stainless Steel	A4 Stainless Steel	A470 Stainless Steel	Nylon	316 Stainless Steel
FINISH	Natural				
QUALITY	100% Visual inspection				
MINIMUM BREAKING STRENGTH	22 kN				
WEIGHT	0.21kg (0.5lbs)				